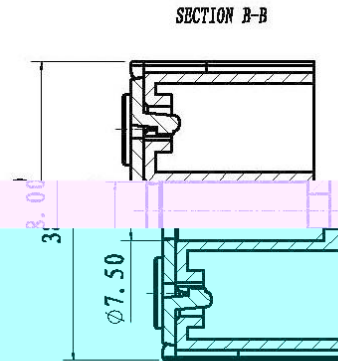
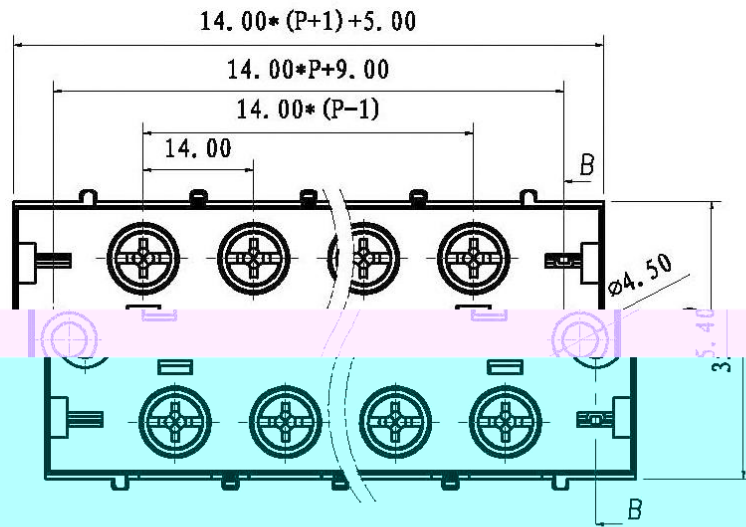
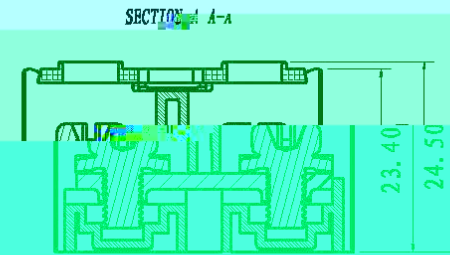
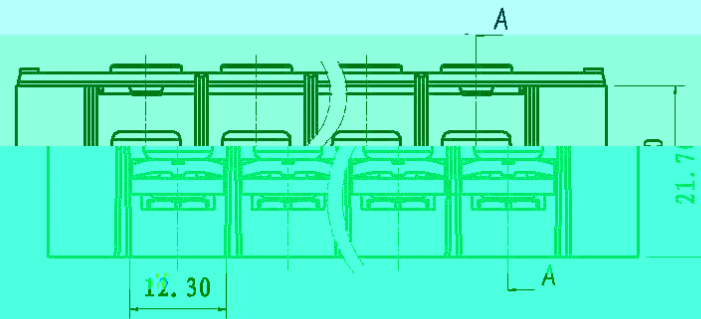


REVISION RECORD			
REV.	CONTENT	MOD.	DATE
▲	初版发行		



技术要求:
 额定电压: 600V
 额定电流: 45A
 螺钉类型/扭力: M5/2.0 N.m
 绝缘材料类型: PC
 阻燃等级: V1
 导线截面: 6mm² max



	pitch dimension			Nominal dimension					— □ ○
	over 0 to 6	over 6 to 10	over 10 to 24	over 0 to 30	over 30 to 60	over 60 to 100	over 100 to 150		
variable range	0 to 6	6 to 10	10 to 24	0 to 30	30 to 60	60 to 100	100 to 150		
Tolerance	+0.1	+0.15	+0.25	+0.3	±0.3	±0.5	±0.7	±1.0	0.05/10

4	M5*10-12*12螺丝	SPPSA501091V	2P	碳钢	三价铬钝化彩锌
3	TA-40A-导电件	60TABDD040AV	P	黄铜	镀镍
2	TB1-45A-透明盖	6TB1C700450V	1	PC	透明
1	TB1-45A-本体	6TB1C700450V	1	PC	黑色
NO.	NAME OF PART	NO. OF PART	QTY	MATERIAL	NOTES
DES.	ZSH	DATE 2016/03/10	UNITS	mm	THIRD ANGLE PROJECTION
CHK.		DATE	SIZE	A4	SHE 1 of
APP.		DATE	SCALE	1:1	DWG NO. SP-2-6TB45A1 RBV: TB1-45XX-130-0 TB1-45A-成品
上海联捷电气有限公司 Shanghai Elinker Electric CO.,LTD				TITLE	