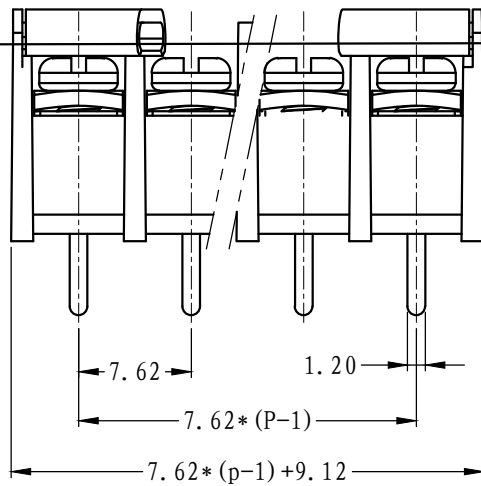
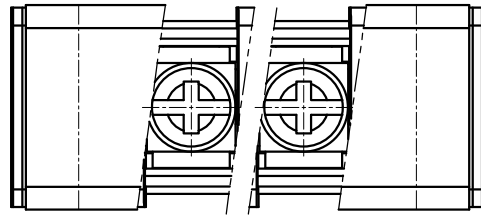


REVISION RECORD			
REV.	CONTENT	MOD.	DATE
△	初版发行		

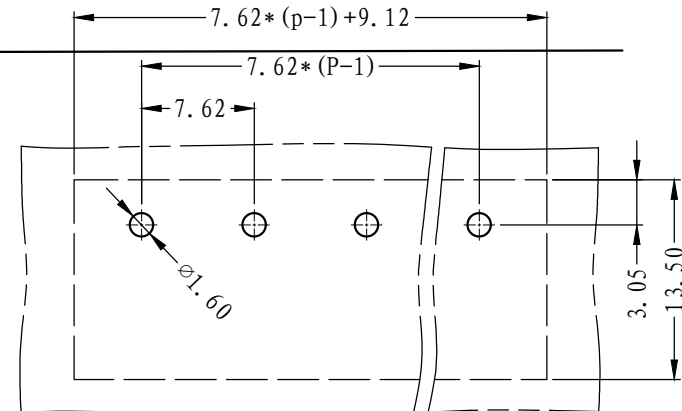
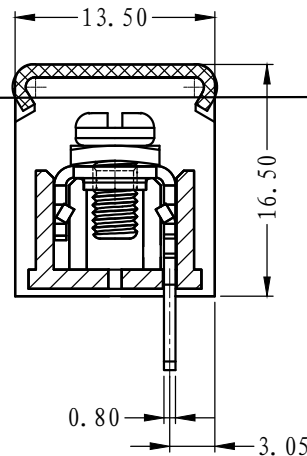
技术要求:

间距: 7.62mm

额定电压: 300V



5.00 ± 0.30



	pitch dimension			Nominal dimension					— /
	over 0	over 6	over 10	over 0	over 30	over 60	over 100	over 150	
variable range	to 6	to 10	to 24	to 30	to 60	to 100	to 150		□ ○
Tolerance	±0.1	±0.15	±0.25	±0.2	±0.3	±0.5	±0.7	±1.0	0.05/10

4	LW2-7.62-盖板	5021COYXXAV	1	PC	
3	M3*6-6*6	SQFFA306023V	P	碳钢	三价铬钝化彩锌
2	LW1B-7.62-焊脚	5010B0002AV	P	黄铜	镀雾锡
1	LW2-7.62-主体	5021A0YXXAV	1	PBT	
NO.	NAME OF PART	NO. OF PART	Q'TY	MATERIAL	NOTES
DES.	ARKINE	DATE	11-05-10	UNITS	MM
CHK.		DATE		SIZE	A4
APP.		DATE		SCALE	1:1
				DWG NO.	SP-2-5021002
				REV:	V0
上海联捷电气有限公司 Shanghai Elinker Electric CO., LTD				TITLE	LW2B-7.62-XXP-1Y-00/ LW2B-7.62-成品