

ARKENE

11-03-13

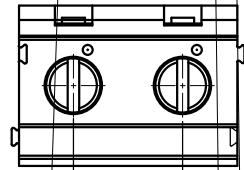
1:1

SP-2-2008001  
LG129V-7 5

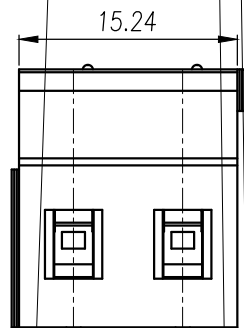
ET  
of

REVISION RECORD

REV.	CONTENT	MOD.	DATE
△			



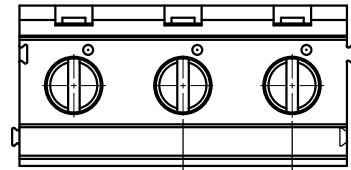
7.62



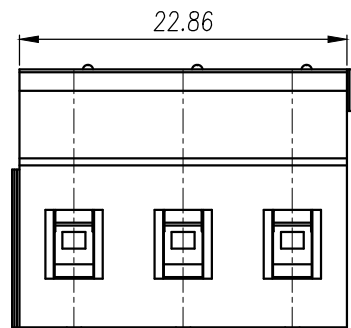
15.24

1.00

<2P>



7.62



22.86

1.00

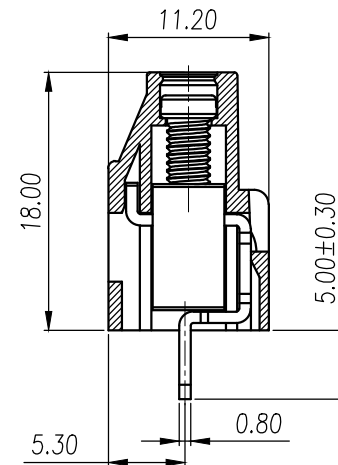
<3P>

NOTES:

1. Voltage Rating: 300V, Current Rating: 18A
2. PITCH: 7.62mm
3. Insulation Withstands Voltage: AC2500V/min
4. Insulation Resistance: 500MΩ or more at DC500V
5. Using Temperature Range: -40° C ~ +105° C
6. Suitable Electric Wire: AWG 26-12
7. Screw Torque Value: 0.5Nm

技术要求:

额定电压: 300V, 额定电流: 18A



Tolerance	linear dimension					—	≡	▱	//	⊥
	over 6	over 30	over 50	over 100	over 150					
	±0.03	±0.05	±0.1	±0.2	±0.25	±0.35	±0.5	±0.1	±0.1	±0.1

1	LG129-7.62-本体(带拼接)	2009A0YXXAVP	1	PA66-V0	
NO.	NAME OF PART	NO. OF PART	Q'TY	MATERIAL	NOTE
DES.	ARKINE	DATE 11-03-13	UNIT	PROJECTION	SHEET
CHK	DATE	SIZE A4	SCALE	1 of 1	REV:
DATE				2009001	
上海联捷电气有限公司				TITLE	LG129-7.62-XP-1Y-01