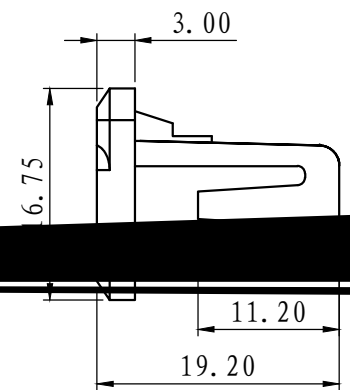
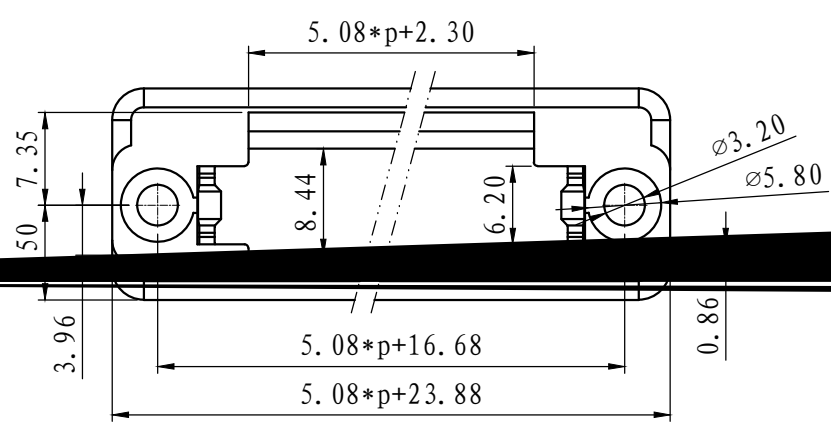
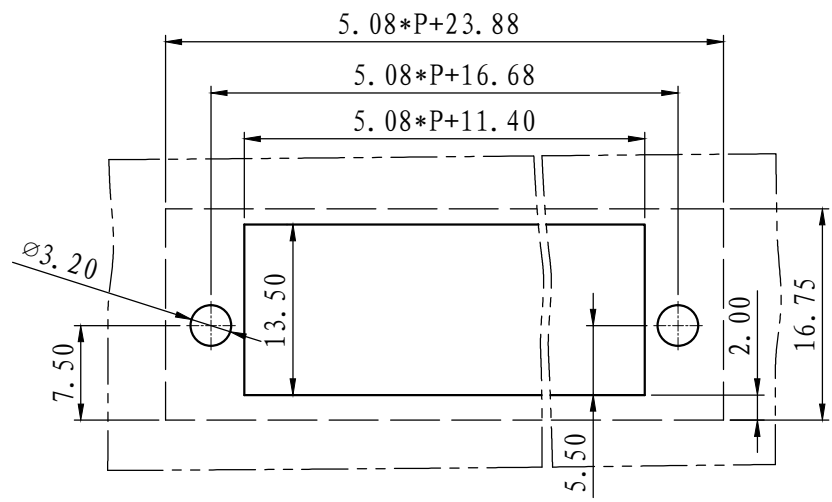
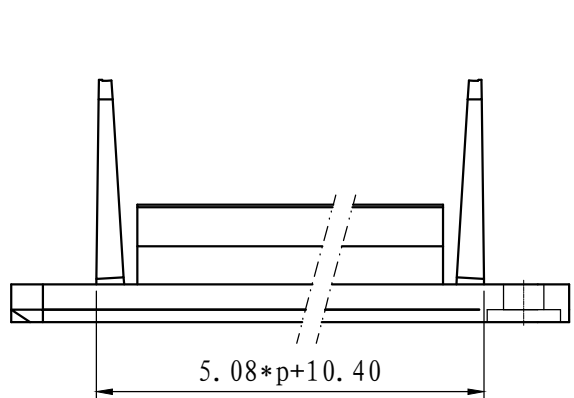


△	初版发行		



技术要求:
 色差明显变形和缩水现象

	pitch dimension			Nominal dimension					—
	over 0 to 6	over 6 to 10	over 10 to 24	over 0 to 30	over 30 to 60	over 60 to 100	over 100 to 150	150	
variable range	0 to 6	6 to 10	10 to 24	0 to 30	30 to 60	60 to 100	100 to 150	150	◇
Tolerance	±0.1	±0.15	±0.25	±0.2	±0.3	±0.5	±0.7	±1.0	○

1	LZSX-5.08-主体	1018A0YXXAV
	ARKINE	11/11/2
上海联捷电气有限公司 Shanghai Elinker Electric C.O,LT		

Y: V0
 Y-00A