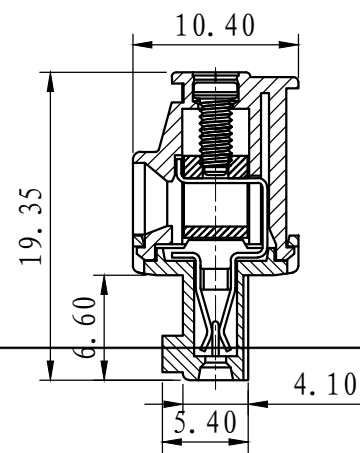
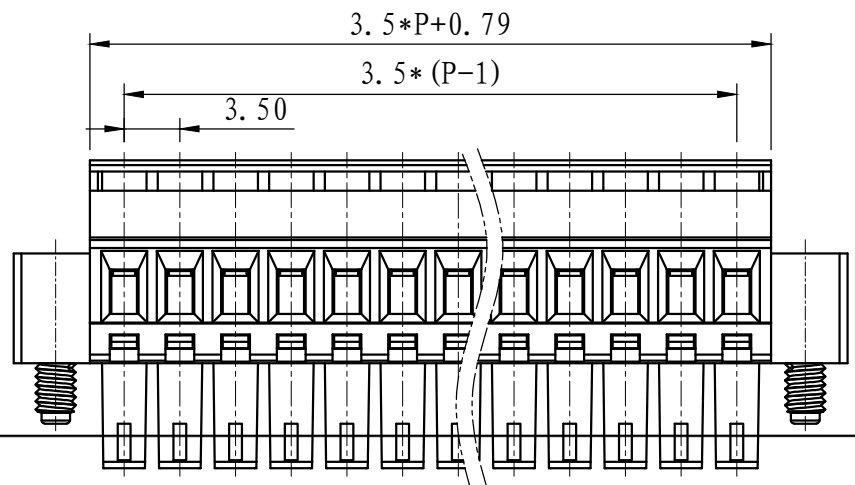
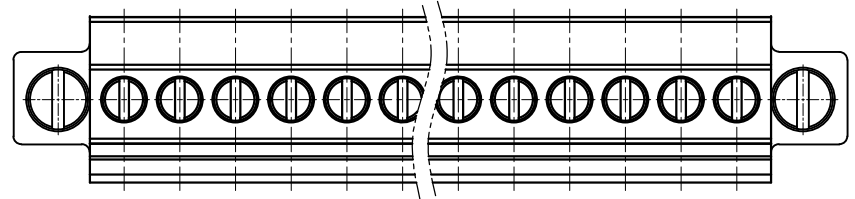
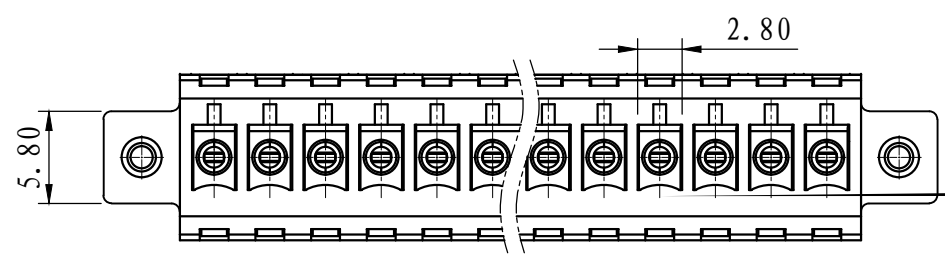


REVISION RECORD			
REV.	CONTENT	MOD.	DATE
△	初版发行		



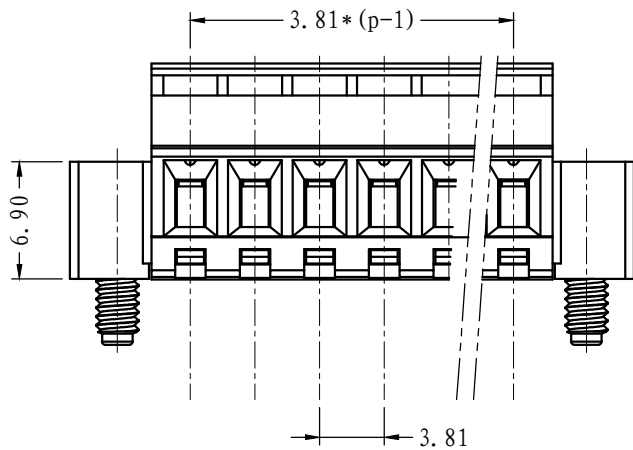
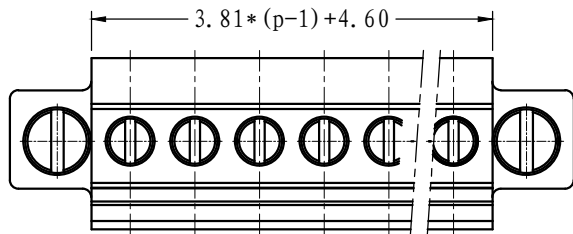
技术要求:

1. 额定电压: 300V, 额定电流: 8A
2. 间距: 3.5mm
3. 耐电压值: AC 2500V/min
4. 绝缘阻抗500兆欧
5. 使用条件: -40° - +105°
6. 适用线规: AWG 30-14



	pitch dimension			Nominal dimension					— /
	over 0 to 6	over 6 to 10	over 10 to 24	over 0 to 30	over 30 to 60	over 60 to 100	over 100 to 150	over 150	
variable range	0 to 6	6 to 10	10 to 24	0 to 30	30 to 60	60 to 100	100 to 150	150	□ ○
Tolerance	±0.1	±0.15	±0.25	±0.2	±0.3	±0.5	±0.7	±1.0	0.05/10

5	LC1	铜方块	SP0YA204802V	P	磷铜	三价铬钝化
4	LC1	铜方块	F1A0BLC3813V			
3	LC2	端子夹子	1022B0001AV	P	磷铜	镀锌
2	LC2	盖板	1128C40XXAV	1	PA66-V0	
1	LC2	主体	1128M40XXAV	1	PA66-V0	
NO.	NAME	PART	NO. OF PART	Q'TY	MATERIAL	NOTES
DES.	LDD	DATE	14-11-04	UNITS	MM	THIRD ANGLE PROJECTION
CHK.		DATE		SIZE	A4	1 of 1
APP.		DATE		SCALE	1:1	DWG NO. SP-1-1021001 REV: V0
<b>上海联捷电气有限公司</b> Shanghai Elinker Electric C.O., LTD					TITLE	LC2AM-3.5-XXP-1Y-00A LC2AM-3.5-成品



6	LC1-系列-耳朵螺丝	SP0YA255301V	2	碳钢	三价铬钝化彩锌
5	LC1-3.81-螺丝	SP0YA204801V	P	碳钢	三价铬钝化彩锌
4	LC1-3.81-铜方块	F1A0BLC3813V	P	黄铜	镀镍
3	LC2-3.81-夹子	1022B0001AV	P	磷青铜	镀镍
2	LC2-3.81-盖板	1022C0YXXAV	1	PA66-V0	

DATE

THIRD

SHEET  
of

