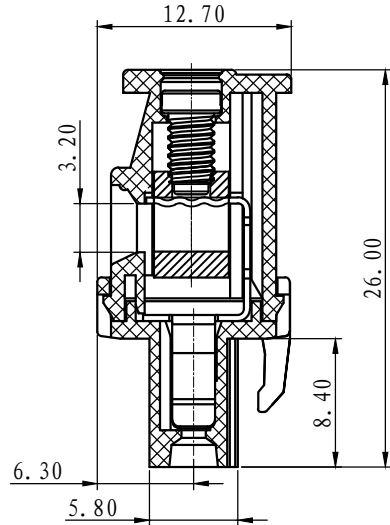
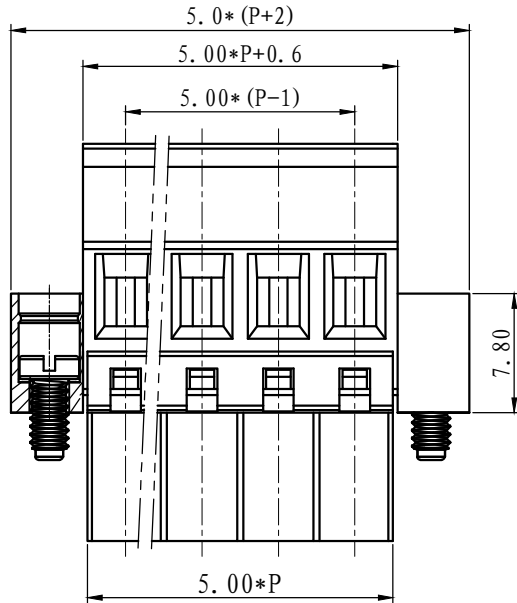
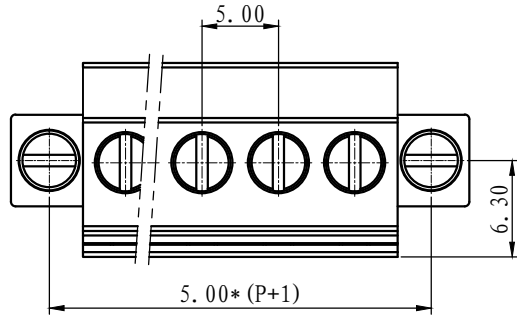


REVISION RECORD		REV.	CONTENT	MOD.	DATE
		△	初发行		



技术要求:
 1. 额定电压: 300V, : 15A
 2. 间距: 5.0mm
 3. 耐受电压值: AC 25

	pitch dimension			Nominal dimension					— /
	over 0	over 6	over 10	over 0	over 30	over 60	over 100	over 150	
variable range	to 6	to 10	to 24	to 30	to 60	to 100	to 150		□ ○
Tolerance	±0.1	±0.15	±0.25	±0.2	±0.3	±0.5	±0.7	±1.0	0.05/10

6	LC1-耳朵螺丝	SPOYA25S301V	2	碳钢	三价铬钝化彩锌
5	LC1-5.08-螺丝	SPOYB30S503V	P	碳钢	三价铬钝化彩锌
4	LC1-5.08-铜方块	F1A0BLC5083V	P	黄铜	镀镍
3	LC2-5.08-夹子	1006B0001AV	P	磷青铜	镀镍
2	LC2-5.0-盖子	1124C0YXXAV	1	PA66-V0	
1	LC2M-5.0-本体	1124M0YXXAV	1	PA66-V0	
NO.	NAME OF PART	NO. OF PART	Q'TY	MATERIAL	NOTES
DES.	LDD	DATE	2014/07/10	UNITS	MM
CHK.		DATE		SIZE	A4
APP.		DATE		SCALE	1:1
				DWG NO.	SP-1-1124M001
				REV:	V0
				TITLE	LC2BM-5.0-XXP-1Y-00A LC2BM-5.0-成品

上海联捷电气有限公司
 Shanghai Elinker Electric C.O,LTD

