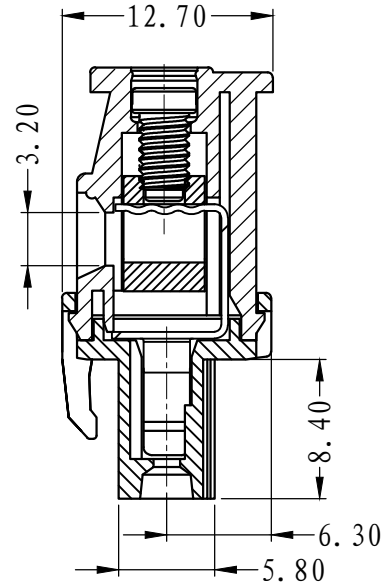


26.00



NOTES:

1. Voltage Rating: 300V, Current Rating: 15A
2. PITCH: 5.08mm
3. Insulation Withstands Voltage: AC2500V/min
4. Insulation Resistance: 500MΩ or more at DC1000V
5. Using Temperature Range: -40° C - +105° C
6. Suitable Electric Wire: 30-12AWG
7. Screw Torque Value: 0.5N.m以上

技术要求:

1. 额定电压: 300V, 额定电流: 15A
2. 间距: 5.08mm
3. 耐压值: AC 2500V/min
4. 绝缘阻

5	LC1-5.08-铜方块			
4	LC1-5.08-螺丝			
3	LC2-5.08-夹子	100%B0001AV		
2	LC2-5.08-主体	100%AOYXX.V		
1	LC2-5.08-盖子	100%COYXX.V	1	PA66-V0

	pitch dimension			Nominal dimension					— /
	over 0 to 6	over 6 to 10	over 10 to 24	over 0 to 30	over 30 to 60	over 60 to 100	over 100 to 150	over 150	
variable range									□ ○
Tolerance	±0.1	±0.15	±0.25	±0.2	±0.3	±0.5	±0.7	±1.0	0.05/10

CHK. DATE  
APP. DATE

DATE  
DATE  
DATE

SIZE A4  
SCALE

DWG NO.  
TITLE

SHEET of REV: V0

上海联捷电气有限公司  
Shanghai Elinker Electric C.O., LTD