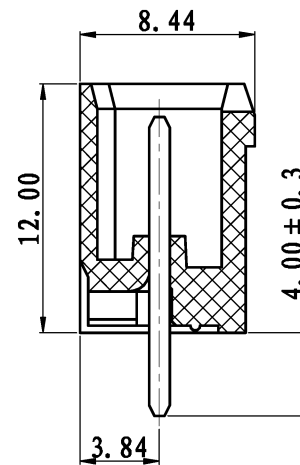
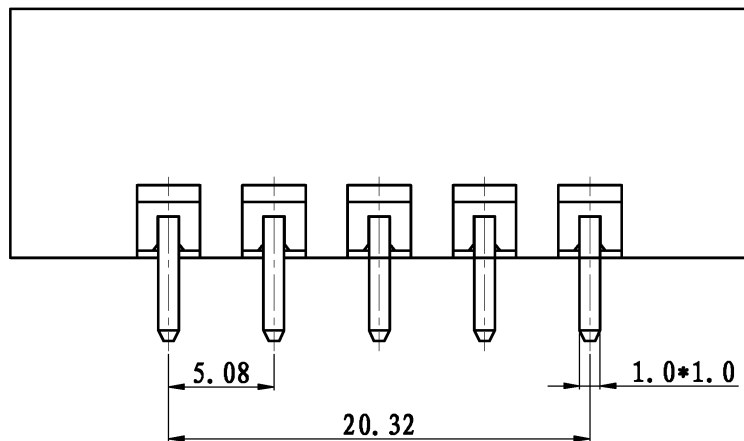
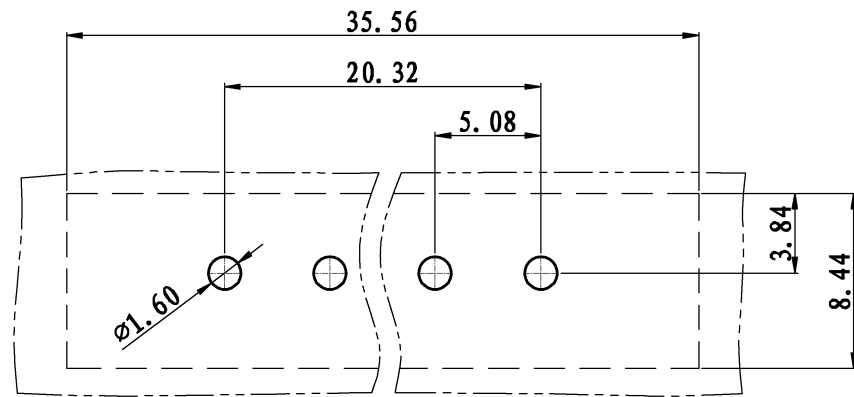
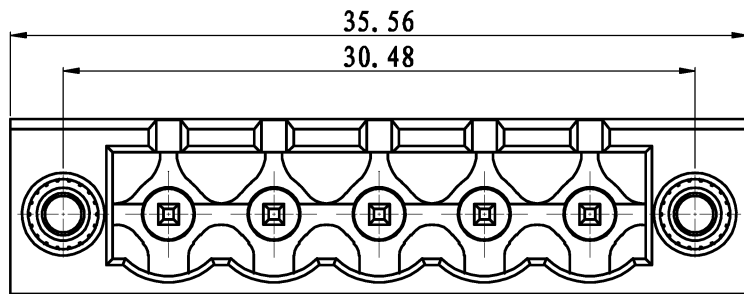


REVISION RECORD			
REV.	CONTENT	MOD.	DATE
△	初版发行		



NOTES:  
 Pitch : 5.08mm  
 Rated Voltage : 300V  
 Rated Current : 15A  
 Withstand Voltage :  
 AC2500V for 1 minute  
 Insulation Resistance :  
 5M $\Omega$  / DC500V  
 Using Temperature Range :  
 -40 $^{\circ}$ C ~ +105 $^{\circ}$ C

技术要求:  
 间距: 5.08mm  
 额定电压: 300V  
 额定电流: 15A  
 耐电压值: AC2500V/min  
 绝缘阻抗: 5M $\Omega$ /DC500V  
 使用条件: -40 $^{\circ}$ C ~ +105 $^{\circ}$ C

	pitch dimension			Nominal dimension					—
	over 0	over 6	over 10	over 0	over 30	over 60	over 100	over 150	
variable range	to 6	to 10	to 24	to 30	to 60	to 100	to 150		
Tolerance	±0.1	±0.15	±0.25	±0.2	±0.3	±0.5	±0.7	±1.0	0.05/10

3.	LZ1-耳朵螺母	SM00B250000V	2	黄铜	
2.	LZ1-5.08-直针(L.2)	1015B0002AV	P	黄铜	镀雾锡
1.	LZ1M-5.08-本体	1015M0711AV	1	PA66	
NO.	NAME OF PART	NO. OF PART	Q'TY	MATERIAL	NOTES
DES.	ARKINE	DATE	2010/5/20	UNITS	MM
CHK.				SIZE	A4
APP.		DATE		SCALE	1:1
				DWG NO.	SP-2-1015003
				REV:	T0
<b>上海联捷电气有限公司</b> Shanghai Blinker Electric C.O., LTD				TITLE	LZ1VM-5.08-SP-1Y-00A
					LZ1VM-5.08-成品