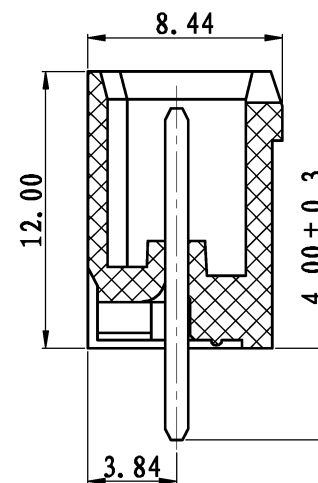
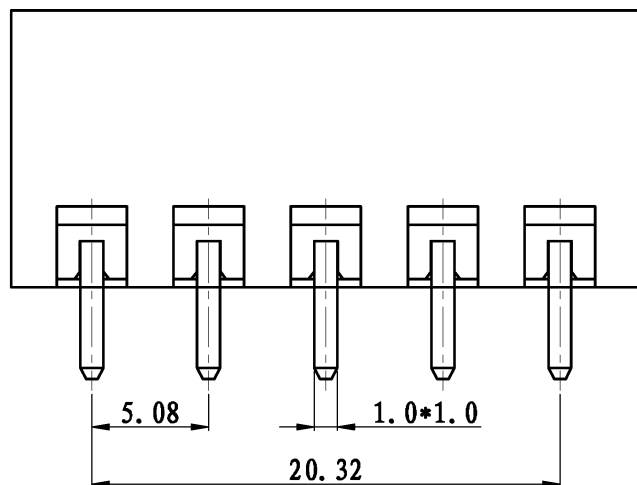
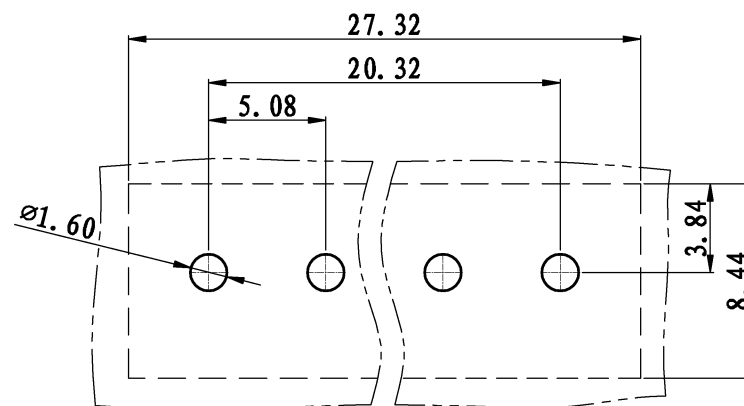
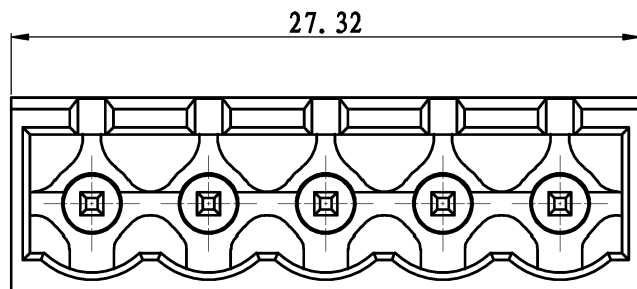



REVISION RECORD			
REV.	CONTENT	MOD.	DATE
△	初版发行		



**NOTES:**  
**Pitch : 5.08mm**  
**Rated Voltage : 300V**  
**Rated Current : 15A**  
**Withstand Voltage : AC2500V for 1 minute**  
**Insulation Resistance : 5MΩ / DC500V**  
**Using Temperature Range : -40℃ ~ +105℃**

**技术要求:**  
**间距: 5.08mm**  
**额定电压: 300V**  
**额定电流: 15A**  
**耐电压值: AC2500V/min**  
**绝缘阻抗: 5MΩ/DC500V**  
**使用条件: -40℃ ~ +105℃**

	pitch dimension			Nominal dimension					—
	over 0 to 6	over 6 to 10	over 10 to 24	over 0 to 30	over 30 to 60	over 60 to 100	over 100 to 150	—	
variable range	0 to 6	6 to 10	10 to 24	0 to 30	30 to 60	60 to 100	100 to 150	—	
Tolerance	±0.1	±0.15	±0.25	±0.2	±0.3	±0.5	±0.7	±1.0	0.05/10

2	LZ1-5.08-直针(1.2)	1015B0002AV	P	黄铜	镀雾锡
1	LZ1-5.08-本体	1015A0YXXAV	1	PA66	
NO.	NAME OF PART	NO. OF PART	Q'TY	MATERIAL	NOTES
DES.	ARKINB	DATE 2010/5/20	UNITS	MM	THIRD ANGLE PROJECTION
CHK.		DATE	SIZE	A4	1 of 1
APP.		DATE	SCALE	1:1	DWG NO. SP-1-1015001 REV: T0
 <b>上海联捷电气有限公司</b> Shanghai Elinker Electric C.O., LTD				TITLE	LZ1V-5.08-SP-1Y-00A
					LZ1V-5.08-成品