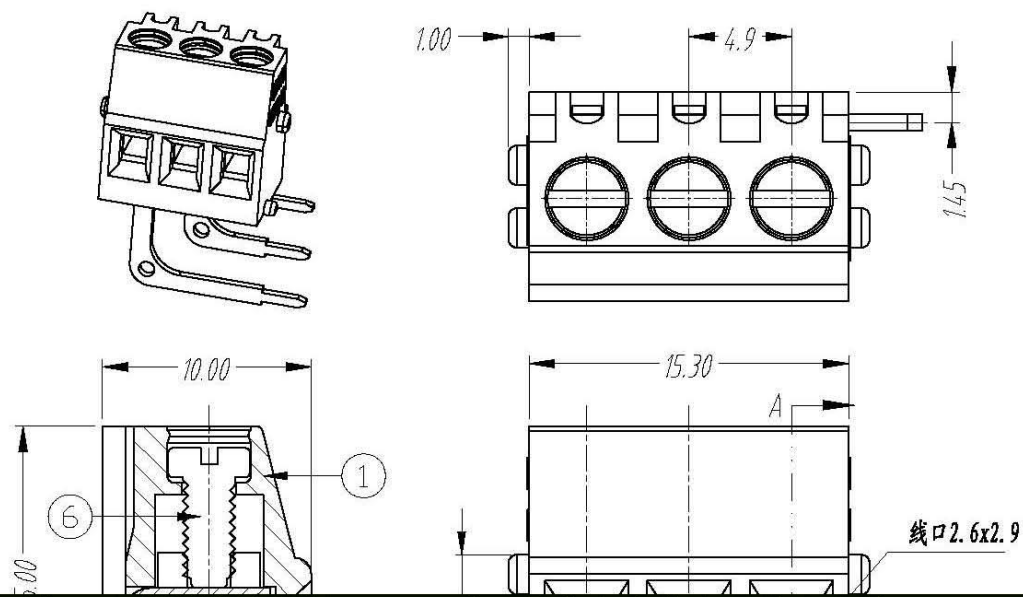


REVISION		RECORD	
REV.	CONTENT	MOD.	DATE
①	新发行		



NOTES:

1. Voltage Rating: 300V, Current Rating: 15A
2. PITCH: 5.0mm
3. Insulation Withstands Voltage: AC3000V/min
4. Insulation Resistance: 1000MΩ or more at DC500V
5. Using Temperature Range: -40° C - +105° C
6. Suitable Electric Wire: 26-12AWG
7. Screw Torque Value: 5.10 kgf.cm

技术要求:

1. 额定电压: 300V, 额定电流: 15A