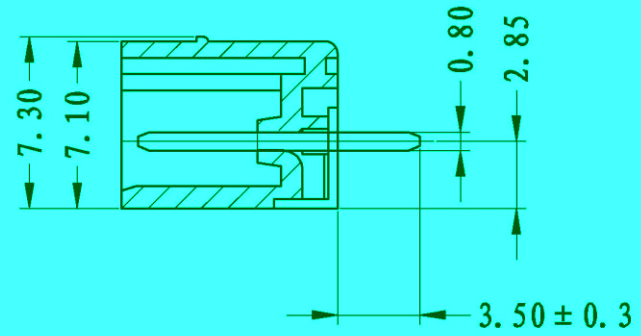
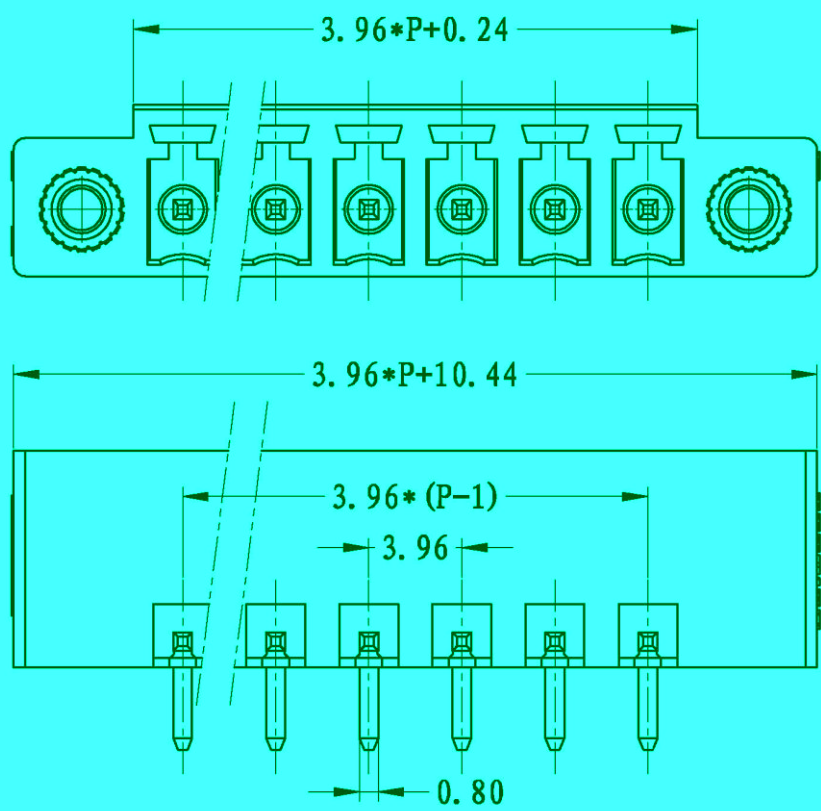


REVISION RECORD			
REV.	CONTENT	MOD.	DATE
①	新发行		



**NOTES:**

1. Voltage Rating: 300V, Current Rating: 8A
2. PITCH: 3.96mm
3. Insulation Withstands Voltage: AC3000V/min
4. Insulation Resistance: 1000M $\Omega$  or more at DC500V
5. Using Temperature Range: -40° C - +105° C

**技术要求:**

1. 额定电压: 300V, 额定电流: 8A
2. 间距: 3.96mm
3. 耐电压值: AC 3000V/min
4. 绝缘电阻: 1000兆欧
5. 使用条件: -40° - +105°

TOLERANCES EXCEPT AS NOTED

variable range	linear dimension				fillet	chamfer	short angle sid				≡	—	□	//	⊥	
	to 6	to 30	to 120	to 480			to 6	to 10	to 50	to 120						to 5
±0.1	±0.2	±0.3	±0.5	±0.9	±0.2	±0.5	±1	1'	30'	20'	10'	0.3	0.025	0.06	0.12	0.4

3	LZ1-系列-耳朵螺母	SMW250010V	2	黄铜	—
2	LZ1-3.96-直针	1003D00010V	P	黄铜	镀锡
1	LZ1M-3.96-本体	1049M40XXA0	1	PA66-V0	绿色
NO.	NAME OF PART	NO. OF PART	Q'TY	MATERIAL	NOTES
DBS.	arkine	DATE	11-07-5	UNITS	MM
CHK.	DATE	SIZE	A4	THIRD ANGLE PROJECTION	
APP.	DATE	SCALE	2:1	DWG NO.	SP-1-1049002
<b>上海联捷电气有限公司</b> Shanghai Blinker Electric C.O., LTD				TITLE	LZ1VM-3.96-XP-140-00A
					LZ1VM-3.96