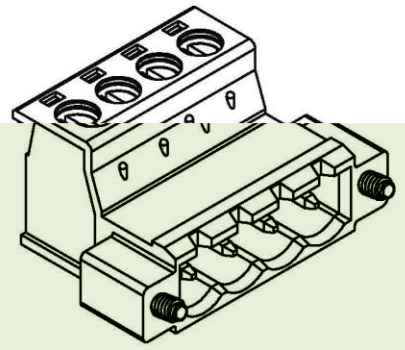
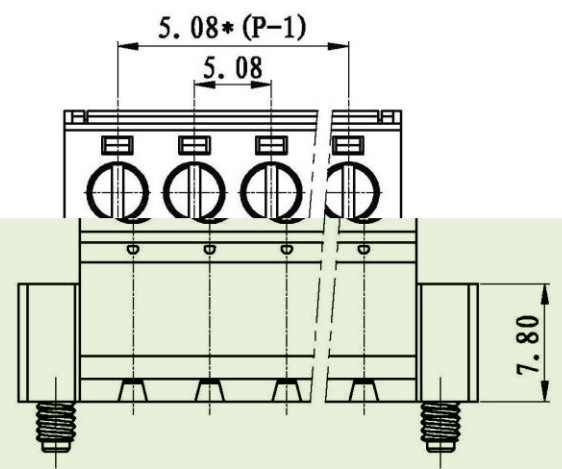


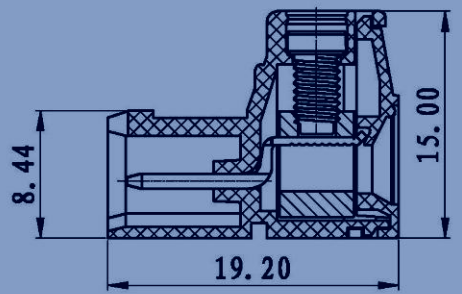
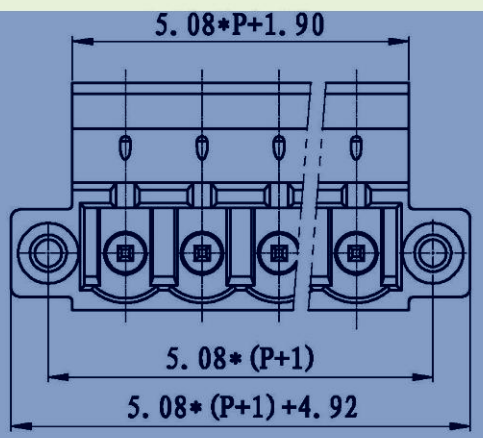
REVISION RECORD			
REV.	CONTENT	MOD.	DATE
△	初版发行		



- NOTES:
1. Voltage Rating: 300V, Current Rating: 15A
 2. Pitch: 5.08mm
 3. Insulation Withstands Voltage: AC2500V/min
 4. Insulation Resistance: 20 C or more at DC500V
 5. Using Temperature Range: -40° C ~ +105° C
 6. Suitable Electric Wire: 24-12AWG
 7. Screw Torque Value: 0.5-0.6Nm

技术要求:

1. 额定电压: 300V, 额定电流: 15A
2. 间距: 5.08mm
3. 耐受电压: AC 2500V/min
4. 绝缘电阻≥5兆欧
5. 使用温度范围: -40° ~ +105°
6. 适用线径: 24-12AWG
7. 扭矩值: 0.5-0.6



6.	LC1-系列-耳朵螺丝	SPOYA255101V	2	碳钢	三价铬钝化彩锌
5.	LC10-5.08-焊脚	1011D0001AV	P	紫铜	镀锡
4.	LC1-5.08-螺丝	SPOYB305303V	P	碳钢	三价铬钝化彩锌
3.	LC1-5.08-铜方块	PLA00LCS003V	P	黄铜	镀镍
2.	LC1-5.08-盖板	1001COYXXAV	1	PA66-V0	
1.	LC10M-5.08-本体	1011MOYXXAV	1	PA66-V0	
NO.	NAME OF PART	NO. OF PART	Q'TY	MATERIAL	NOTES
DBS.	ARKINE	DATE	2011/02/22	UNITS	MM
CHK.		DATE		SIZE	A4
1 of 1					

	pitch dimension			Nominal dimension					—
	over 0	over 6	over 10	over 0	over 30	over 60	over 100	over 150	
variable range	to	to	to	to	to	to	to	to	◇
Tolerance	±0.1	±0.15	±0.25	±0.2	±0.3	±0.5	±0.7	±1.0	0.05/10

上海联捷电气有限公司
Shanghai Hlinker Electric C.O., LTD

TITLE LC10M-5.08-XP-1Y-00A
LC10M-5.08-成品