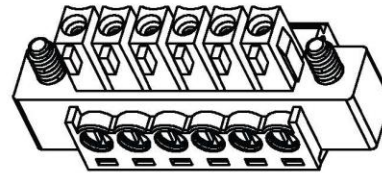
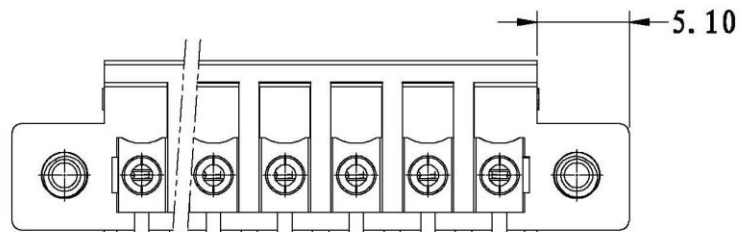
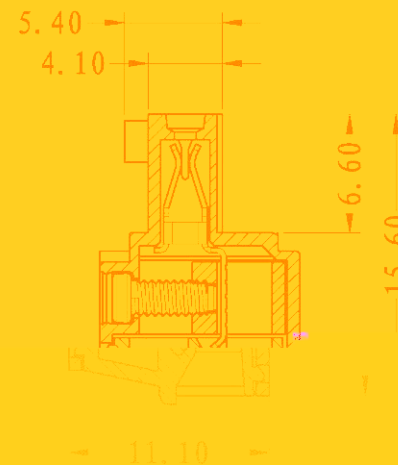
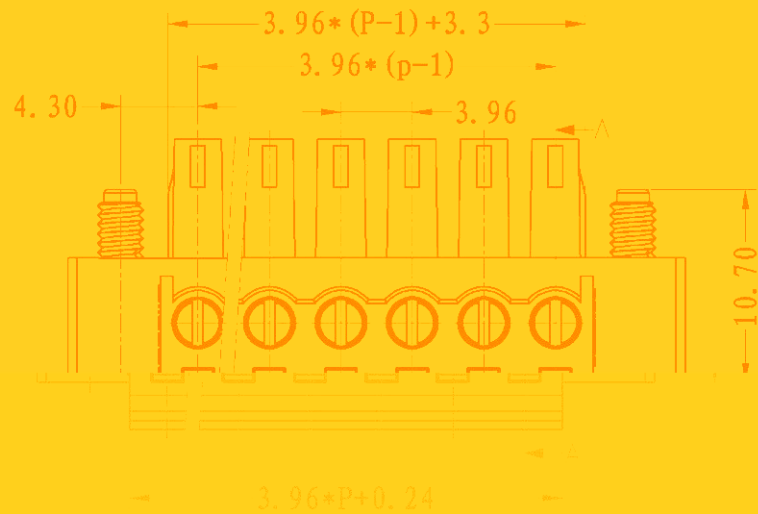


REVISION RECORD			
REV.	CONTENT	MOD.	DATE
△			



NOTES:

1. Voltage Rating: 300V, Current Rating: 8A
2. PITCH: 3.96mm
3. Insulation Withstands Voltage: AC2000V/min
4. Insulation Resistance: 100MΩ or more at DC500V
5. Using Temperature Range: -40° C ~ +105° C
6. Suitable Electric Wire: 28-16 AWG
7. Screw Torque Value: 0.22-0.25Nm
8. Pole: 2-24P



技术要求:

1. 额定电压: 300V, 额定电流: 8A
2. 间距: 3.96mm
3. 耐电压值: AC2000V/min
4. 绝缘阻抗1000兆欧
5. 使用条件: -40° ~ +105°
6. 适用线规: 28-16 AWG
7. 螺丝扭矩: 0.22-0.25Nm
8. 极数: 2-24线

6	TC-耳套螺丝	SSM0250010V	2	碳钢	三价铬钝化彩锌
5	TC-耳套螺丝	SSM0200010V	P	碳钢	三价铬钝化彩锌

WWW.SUNNYPOWER.COM

